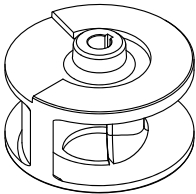


| | | |
|----------------------------|---|---------------|
| HYDROPOMPE | SINGLE CHANNEL IMPELLER  | 60 Hz |
| F SERIES | | 2 POLE |
| 152M-152T-202M-202T | | |

USE

Submersible electric pumps suitable for pumping screened waste water, draining the sewage of blocks of flats and houses and flooded premises in general.

MATERIALS

Cover
Cast iron EN GJL 200 (UNI EN 1561)

Motor housing
Cast iron EN GJL 200 (UNI EN 1561)

Pump housing
Cast iron EN GJL 200 (UNI EN 1561)

Supporting foot
Cast iron EN GJL 200 (UNI EN 1561)

Impeller
Cast iron EN GJL 200 (UNI EN 1561)

Mechanical seal
Silicon Carbide/Silicon Carbide (SiC/SiC)

Motor shaft
Stainless steel AISI 416

Bolts and nuts
Stainless steel Grade A2

Cable
10 meters type H07RN-F
Single-phase with 4G1,5mm² cable, capacitor box and SCHUKO (CEE 7/VII) plug
Single-phase F202M with 4G2,5mm² cable, capacitor box and SCHUKO (CEE 7/VII) plug
Three-phase with 4G1,5mm² cable

LIMITS TO USE

Max temperature of the liquid pumped
+40°C

pH of the liquid pumped
6÷10

Max immersion depth
20 m

Liquid density
1,0 kg/dm³

Min immersion depth for continuous service
102M-102T-152M-152T 353 mm
202M-202T-202TB 380 mm

Free passage
102M-102T-152M-152T 40 mm
202M-202T-202TB 50 mm

Max number starts/hour
20

Acoustic pressure level issued
<70dB(A)

MOTOR

The electric motor is asynchronous with squirrel cage rotor in oil bath
Class of insulation F
Protection degree IP68
2pole; 60 Hz

Main voltage values and relative tolerance in relation to the rated voltage value:

SINGLE-PHASE
230V ±6%
built-in overheating protection and float switch

THREE-PHASE
230V ±10%
400V ±10%

Other voltages on request.

OTHER FEATURES ON REQUEST

Frequency 50 Hz (*see specific catalogue*)
Other voltages
With food grade white oil

TECHNICAL DATA

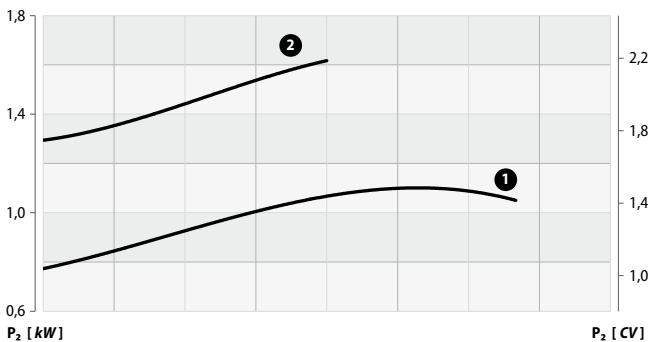
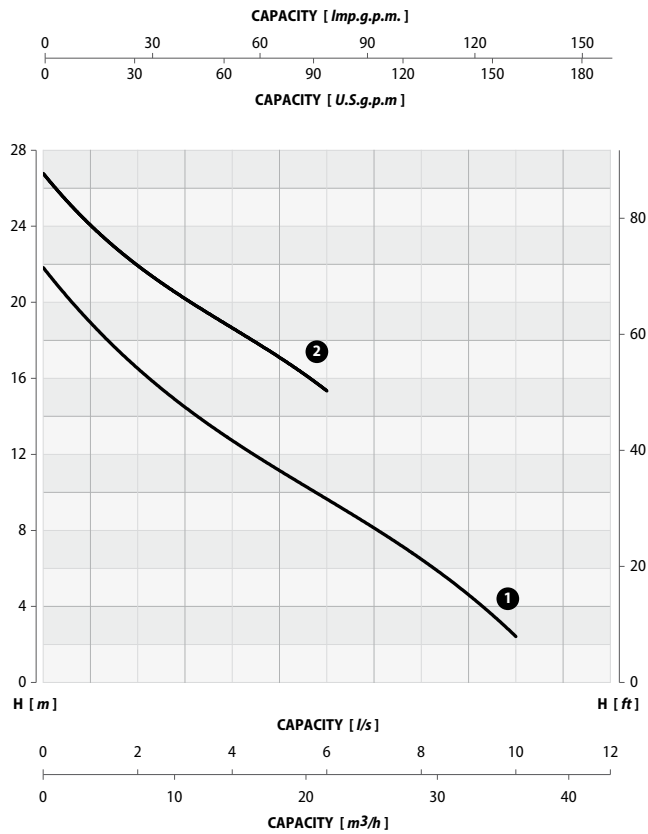
| MODEL | P1 kW | P2 | | VOLTAGE V | CURRENT A | CAPACITOR | | CABLE m | WEIGHT kg |
|-------------|----------|-----|-----|--------------|--------------|-----------|-----|------------|--------------|
| | | kW | CV | | | µF | V | | |
| 152M | 1,8 | 1,3 | 1,8 | 230 (1~) | 9,0 | 30 | 450 | 10 | 30 |
| 152T | 1,6 | 1,1 | 1,5 | 230/400 (3~) | 5,2/3,0 | - | - | 10 | 30 |
| 202M | 2,3 | 1,6 | 2,1 | 230 (1~) | 11,0 | 40 | 450 | 10 | 34 |
| 202T | 2,2 | 1,6 | 2,1 | 230/400 (3~) | 6,9/4,0 | - | - | 10 | 34 |

| | | | |
|-----------------|----------------------------|--|---------------|
| F SERIES | 152M-152T-202M-202T |  | 60 Hz |
| | | | 2 POLE |

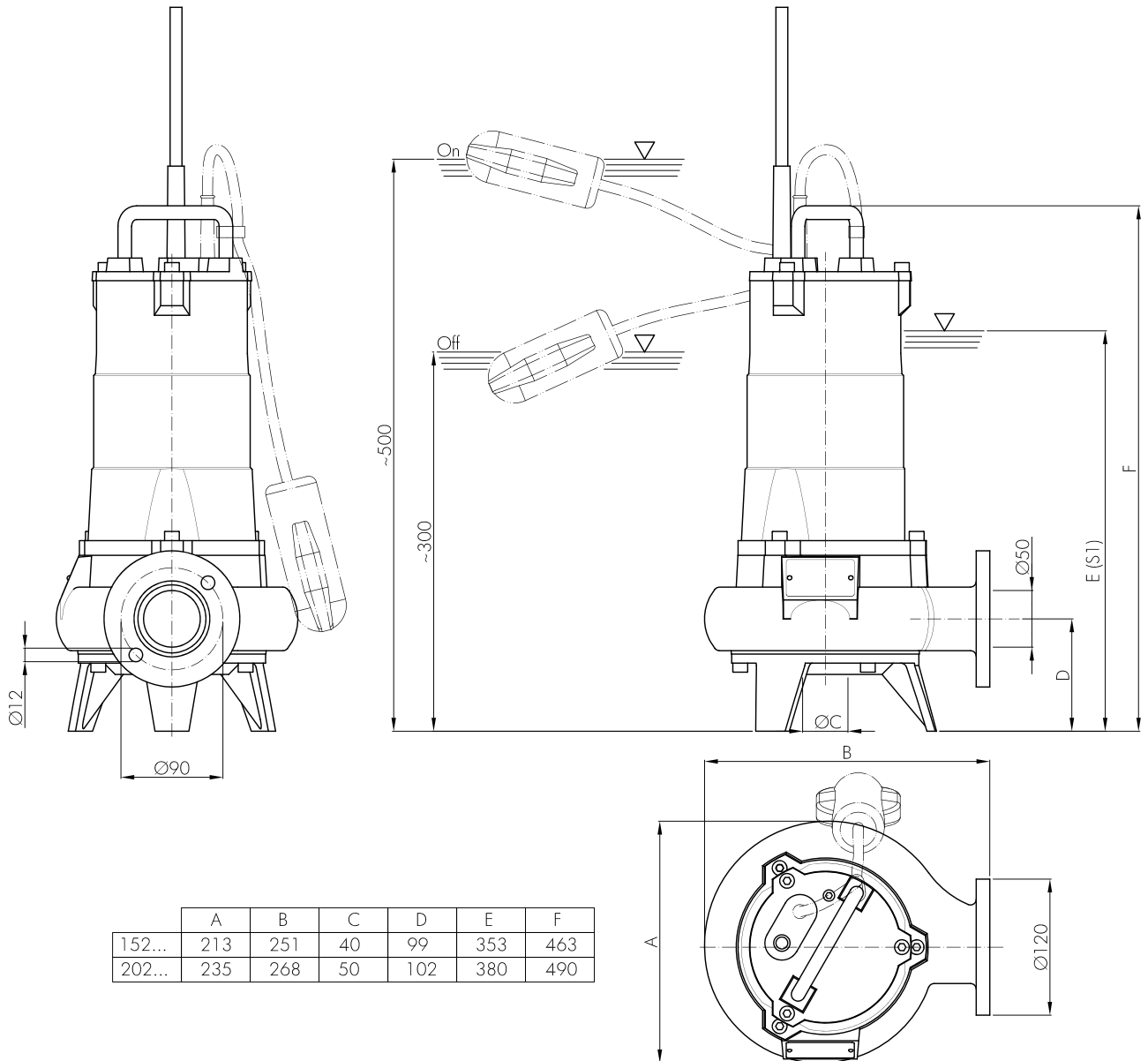
PERFORMANCE RANGE

| CAPACITY | | | | | | | | | | | | | | |
|--------------|---|-----|-----|------|------|------|------|------|------|------|------|------|------|-----|
| <i>l/s</i> | 0 | 1 | 2 | 3 | 4 | 5 | 6 | 7 | 8 | 9 | 10 | 12 | 13 | 14 |
| <i>m³/h</i> | 0 | 3,6 | 7,2 | 10,8 | 14,4 | 18,0 | 21,6 | 25,2 | 28,8 | 32,4 | 36,0 | 43,2 | 46,8 | 50 |
| <i>l/min</i> | 0 | 60 | 120 | 180 | 240 | 300 | 360 | 420 | 480 | 540 | 600 | 720 | 780 | 840 |

| MODEL | CURVE N° | HEAD <i>m</i> | | | | | | | | | | | | | |
|-------|----------|---------------|---|------|------|------|------|------|------|------|-----|-----|-----|-----|---|
| | | 152M | 1 | 22,0 | 18,8 | 16,2 | 14,6 | 13,0 | 11,2 | 9,7 | 8,0 | 6,4 | 4,6 | 2,5 | - |
| 152T | 202M | 2 | | 27,0 | 23,5 | 22,2 | 20,5 | 18,6 | 16,8 | 15,5 | - | - | - | - | - |
| 202T | | | | | | | | | | | | | | | |



Performance tolerance in according to UNI/ISO 9906 Grade 3B

F SERIES**152M-152T-202M-202T****SINGLE CHANNEL IMPELLER****60 Hz****2 POLE****INSTALLATION DIMENSIONS**

F SERIES

152M-152T-202M-202T



SINGLE CHANNEL IMPELLER

60 Hz

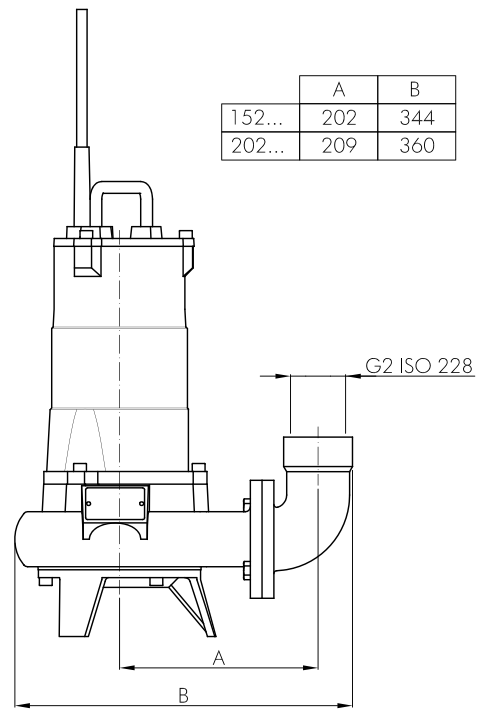
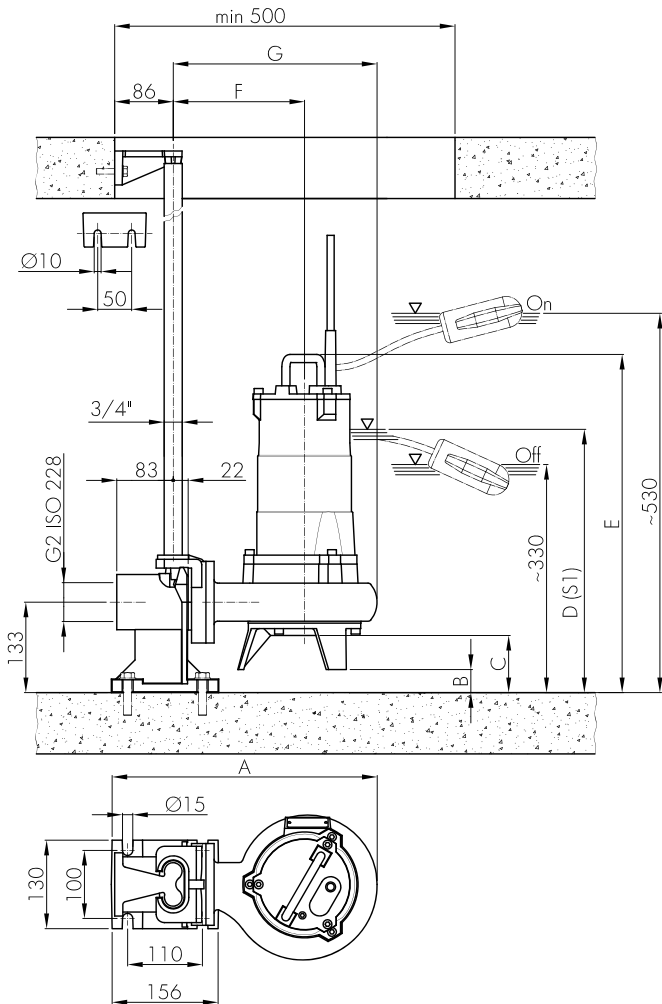
2 POLE

PERMANENT INSTALLATION WITH COUPLING SYSTEM

It is the recommended installation for the permanent pumping station. The electric pump is guided by two pipes and it is connected automatically to the coupling system. The quick connection ensures that the pump can be easily removed and re-installed.

PORTABLE INSTALLATION

Transportable as emergency pump with connection to the hose and for free installation in the well.



| | A | B |
|--------|-----|-----|
| 152... | 202 | 344 |
| 202... | 209 | 360 |

| | A | B | C | D | E | F | G |
|--------|-----|----|----|-----|-----|-----|-----|
| 152... | 390 | 34 | 84 | 387 | 497 | 193 | 300 |
| 202... | 407 | 31 | 81 | 414 | 521 | 200 | 316 |

NOTES



Changes reserved

02/2019