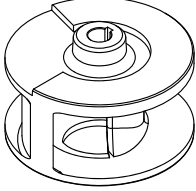


<b>HYDROPOMPE</b>	<b>SINGLE CHANNEL IMPELLER</b>	<b>DN 80</b>
<b>FM SERIES</b>		<b>50 Hz</b>
<b>824/22 - 834/31 854/55</b>		<b>4 POLE</b>

#### USE

Submersible electric pumps particularly suitable for pumping industrial sewage, screened waste water and mud in the pumping stations. They can be used also to lift clear and dirty water and rain water.

#### MATERIALS

##### Motor housing

Cast iron EN GJL 250 (UNI EN 1561)

##### Pump housing

Cast iron EN GJL 250 (UNI EN 1561)

##### Bearing housing

Cast iron EN GJL 250 (UNI EN 1561)

##### Impeller

Cast iron EN GJS 400 (UNI EN 1563)

##### Mechanical seal motor side

Graphite/Ceramic

##### Mechanical seal impeller side

Silicon Carbide/Silicon Carbide (SiC/SiC)

##### Base frame

Stainless steel AISI 304

##### Motor shaft

Stainless steel AISI 420

##### Bolts and nuts

Stainless steel Grade A2

##### Cable

10 meters type S1RN8-F

824/22; 834/31 with 4G1,5+3x1mm<sup>2</sup> cable

854/55 with 4G2,5+3x1mm<sup>2</sup> cable

#### LIMITS TO USE

##### Max temperature of the liquid pumped

+40°C

##### pH of the liquid pumped

6÷10

##### Max immersion depth

20 m

##### Liquid density

1,0 kg/dm<sup>3</sup>

##### Min immersion depth for continuous service

517 mm

##### Free passage

80 mm

##### Max number starts/hour

20

##### Acoustic pressure level issued

<70dB(A)

#### MOTOR

The electric motor is asynchronous with squirrel cage rotor in dry chamber

Class of insulation F

Protection degree IP68

4pole; 50Hz

Main voltage values and relative tolerance in relation to the rated voltage value:

##### THREE-PHASE

400V ±10%

Other voltages on request.

#### OTHER FEATURES ON REQUEST

Frequency 60 Hz (*see specific catalogue*)

Other voltages


#### SECURITY

Thermal probes in the winding

Conductivity probe in the oil chamber

#### TECHNICAL DATA

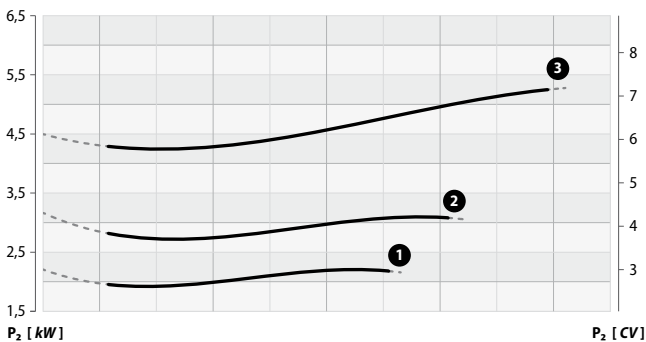
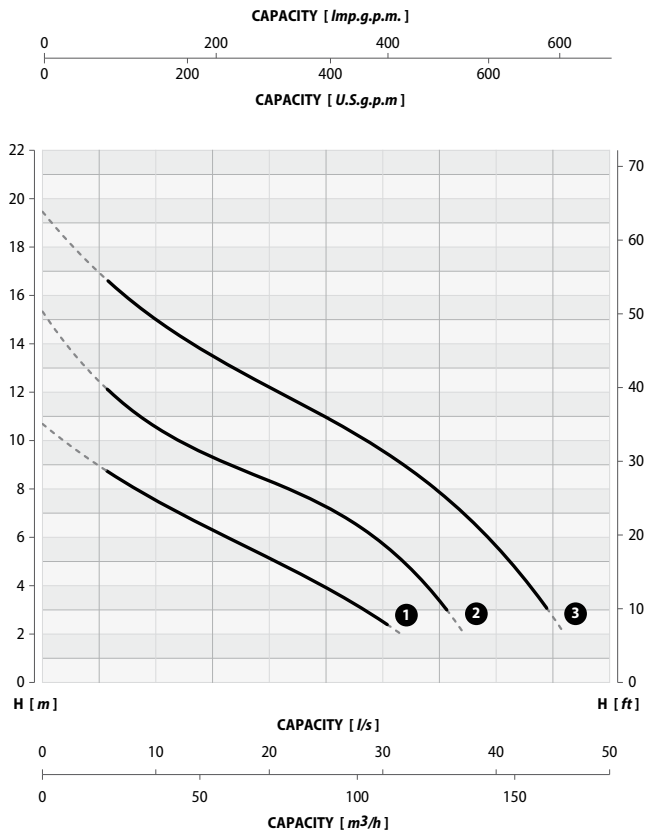
MODEL	P1 kW	P2		VOLTAGE V	CURRENT A	CABLE m	WEIGHT kg
		kW	CV				
<b>824/22</b>	2,8	2,2	3,0	400 (3~)	5,8	10	96
<b>834/31</b>	3,9	3,1	4,2	400 (3~)	7,5	10	99
<b>854/55</b>	6,6	5,5	7,5	400 (3~)	11,7	10	111

<b>FM SERIES</b>	<b>824/22 - 834/31 854/55</b>		<b>SINGLE CHANNEL IMPELLER</b>	<b>DN 80</b>
				<b>50 Hz</b>
				<b>4 POLE</b>

**PERFORMANCE RANGE**

CAPACITY												
<i>l/s</i>	0	10	15	20	25	30	35	40	45	50	55	60
<i>m³/h</i>	0	36	54	72	90	108	126	144	162	180	198	216
<i>l/min</i>	0	600	900	1200	1500	1800	2100	2400	2700	3000	3300	3600

MODEL	CURVE N°	HEAD m											
		824/22	1	10,8	7,6	6,4	5,3	3,7	2,4	-	-	-	-
834/31	2	15,6	10,8	9,6	8,4	7,1	5,5	3,7	-	-	-	-	-
854/55	3	19,8	15,1	13,6	12,4	11,0	9,6	7,9	5,2	3,0	-	-	-



Performance tolerance in according to UNI/ISO 9906 Grade 3B

**FM SERIES**

**824/22 - 834/31  
854/55**



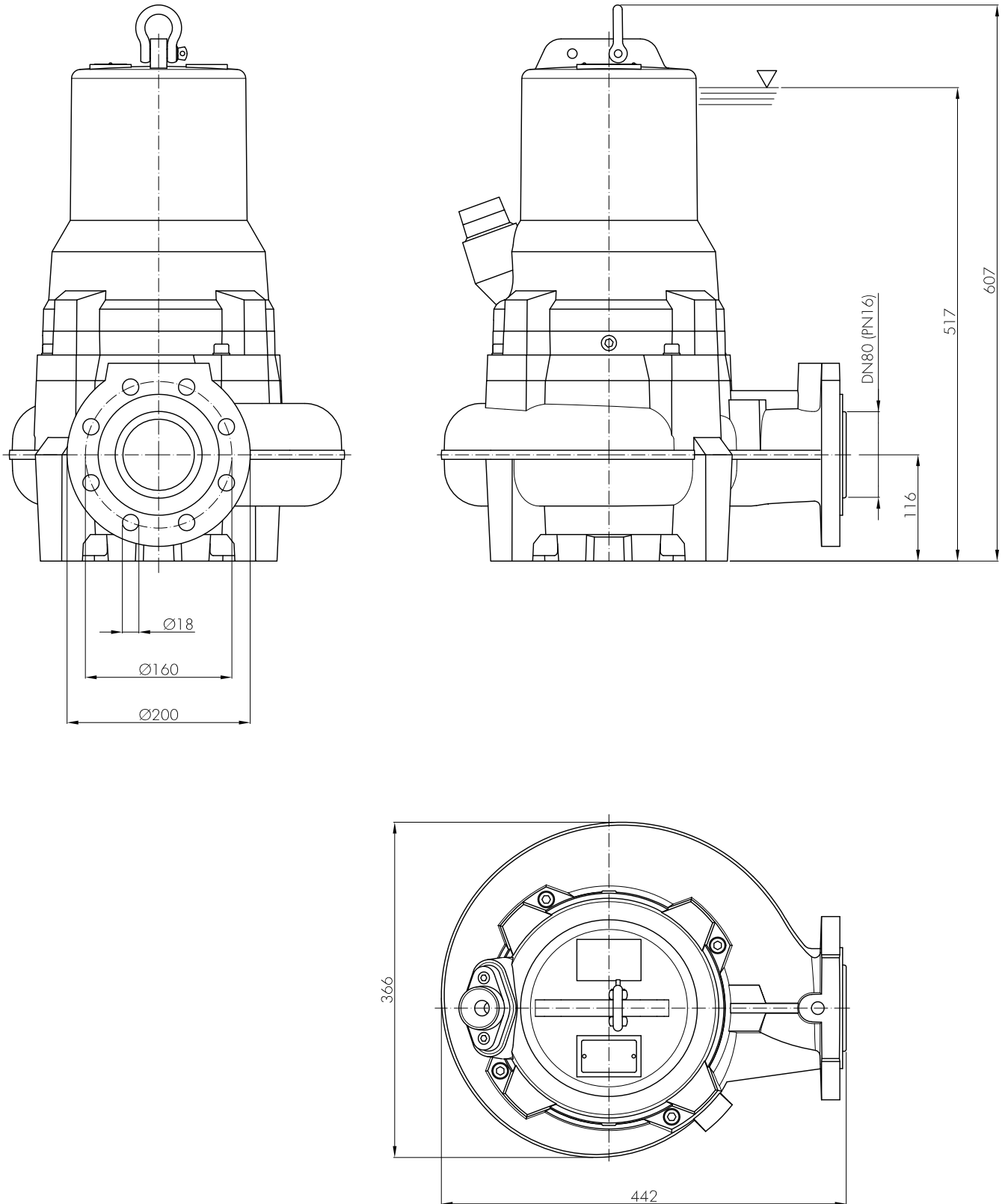
**SINGLE CHANNEL IMPELLER**


**DN 80**

**50 Hz**

**4 POLE**

**INSTALLATION DIMENSIONS**



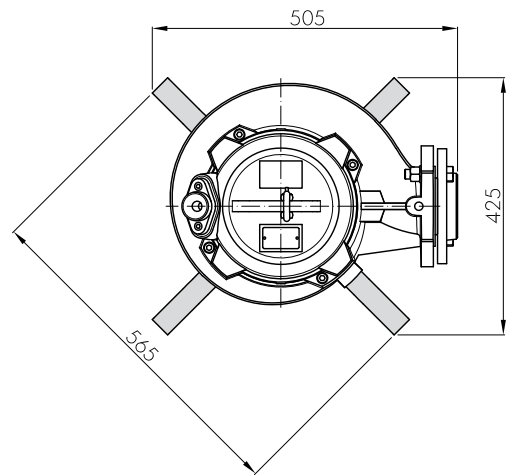
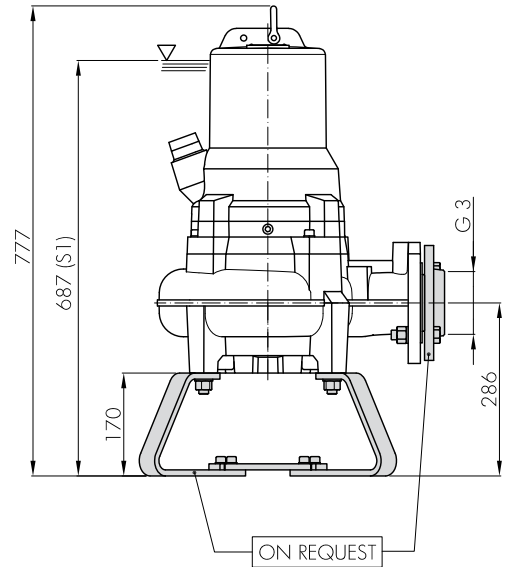
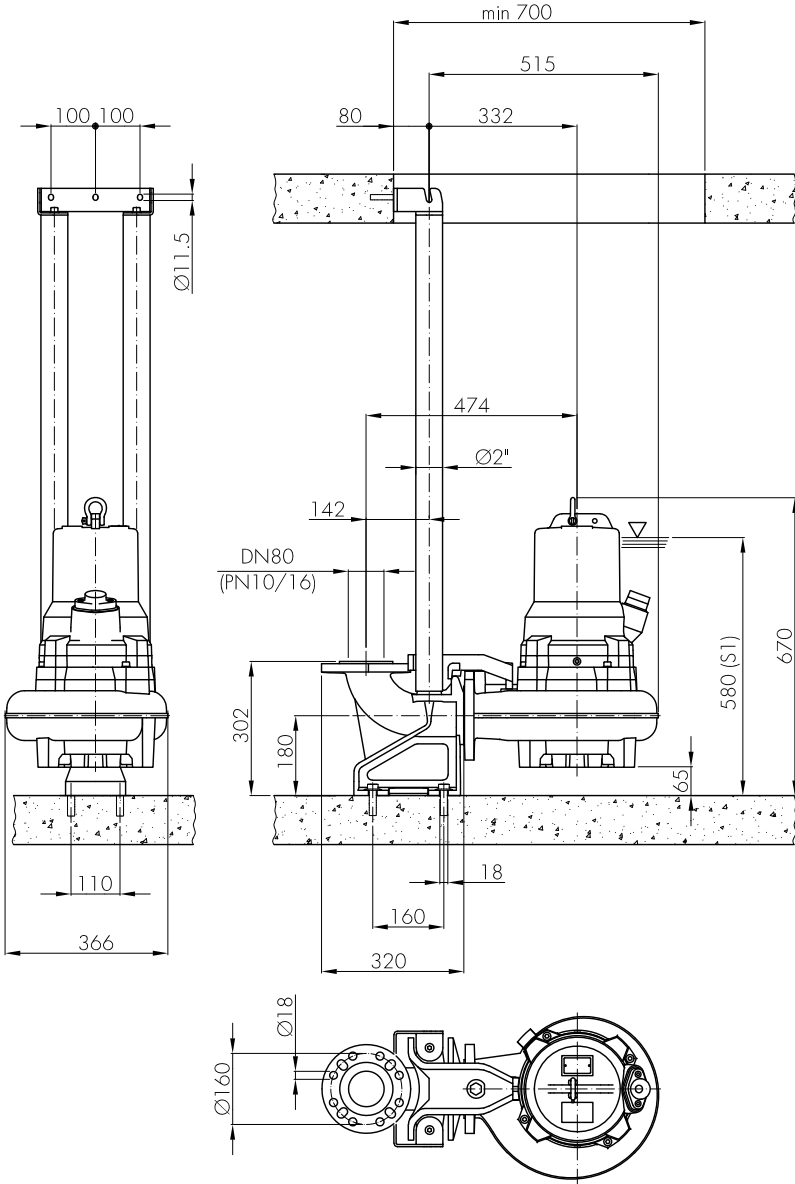
<b>FM SERIES</b>	<b>824/22 - 834/31 854/55</b>	 <b>SINGLE CHANNEL IMPELLER</b>	<b>DN 80</b>
			<b>50 Hz</b>
			<b>4 POLE</b>

**PERMANENT INSTALLATION WITH COUPLING SYSTEM**

**PORTABLE INSTALLATION**

It is the recommended installation for the permanent pumping station. The electric pump is guided by two pipes and it is connected automatically to the coupling system. The quick connection ensures that the pump can be easily removed and re-installed.

Transportable as emergency pump with connection to the hose and for free installation in the well.



**NOTES**



.....  
 .....  
 .....  
 .....

**i** Changes reserved

01/2022