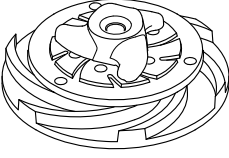


HYDROPOMPE	IMPELLER WITH GRINDER UNIT 	50 Hz
FTR SERIES		2 POLE
126M-126T-128M-128T		

USE

These series of grinder pumps are particularly used in civil and industrial sewage plants. They have been designed to pump the liquid at high head with very low capacity. The cutter unit, in a special hard stainless steel, cuts into small pieces threadlike materials contained in the liquids. As the risk of clogging is avoided small diameter pipes are used. These pumps can be used to lift the sewage of blocks of flats and villas, small isolated areas far from the sewer systems; the sewage of hotels and campsites, in the food and paper industry and in those particular situations where the installation is often expensive by using a gravity system.

MATERIALS

Cover

Cast iron EN GJL 200 (UNI EN 1561)

Pump housing

Cast iron EN GJL 200 (UNI EN 1561)

Supporting foot

Cast iron EN GJL 200 (UNI EN 1561)

Impeller

Cast iron EN GJL 200 (UNI EN 1561)

Seal motor side

Seal ring

Mechanical seal pump side

Silicon Carbide/Silicon Carbide (SiC/SiC)

Motor housing

Stainless steel AISI 304

Motor shaft

Stainless steel AISI 416

Grinder

Tempered stainless steel

Bolts and nuts

Stainless steel Grade A2

Cable

10 meters type H07RN-F

Single-phase with 4G1 mm² cable, capacitor box and SCHUKO (CEE 7/II) plug

Three-phase with 4G1 mm² cable

LIMITS TO USE

Max temperature of the liquid pumped

+40°C

pH of the liquid pumped

6÷10

Max immersion depth

5 m

Liquid density

1,0 kg/dm³

Min immersion depth for continuous service

343 mm

Max number starts/hour

20

Acoustic pressure level issued

<70dB(A)

MOTOR

The electric motor is asynchronous with squirrel cage rotor in dry chamber

Class of insulation F

Protection degree IP68

2pole; 50Hz

Main voltage values and relative tolerance in relation to the rated voltage value:

SINGLE-PHASE

230V ±6%

built-in overheating protection and float switch

THREE-PHASE

230V ±10%

400V ±10%

Other voltages on request.

OTHER FEATURES ON REQUEST

Frequency 60 Hz (*see specific catalogue*)

Other voltages

With food grade white oil

TECHNICAL DATA

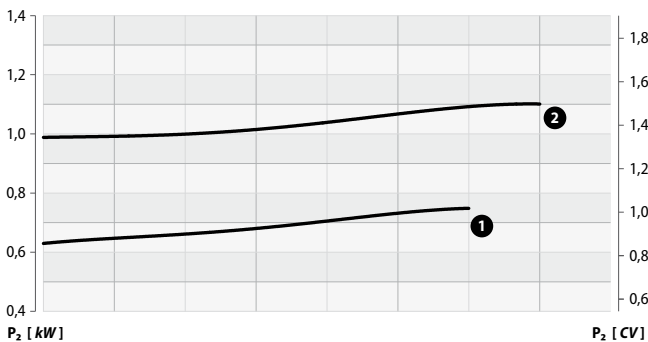
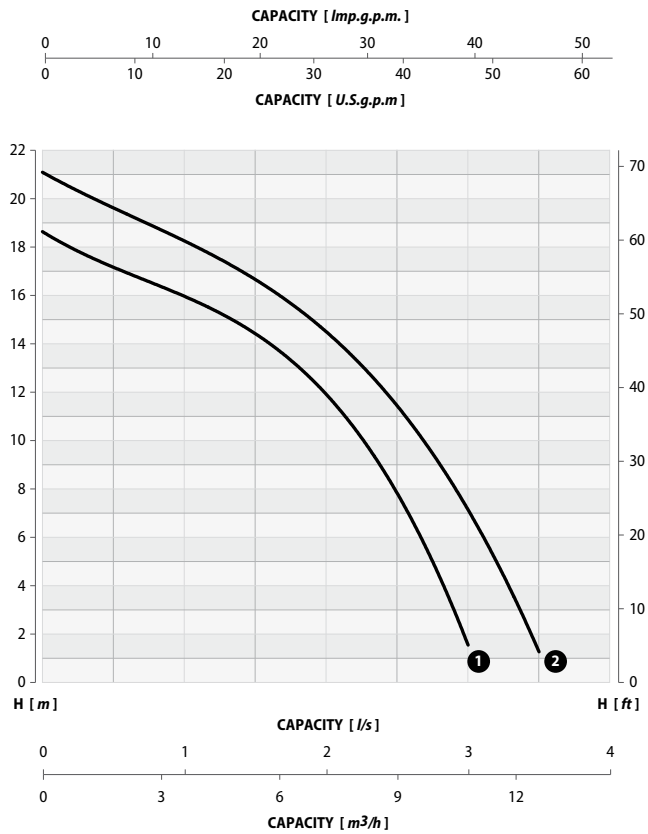
MODEL	P1 kW	P2		VOLTAGE V	CURRENT A	CAPACITOR		CABLE m	WEIGHT kg
		kW	CV			µF	V		
126M	0,9	0,75	1	230 (1~)	4,8	20	450	10	18
126T	0,9	0,75	1	230/400 (3~)	3,1/1,8	-	-	10	18
128M	1,4	1,1	1,5	230 (1~)	6	25	450	10	20
128T	1,4	1,1	1,5	230/400 (3~)	3,6/2,1	-	-	10	20

FTR SERIES	126M-126T-128M-128T		IMPELLER WITH GRINDER UNIT	50 Hz
				2 POLE

PERFORMANCE RANGE

CAPACITY									
<i>l/s</i>	0	0,5	1	1,5	2	2,5	3,0	3,5	
<i>m³/h</i>	0	1,8	3,6	5,4	7,2	9,0	10,8	12,6	
<i>l/min</i>	0	30	60	90	120	150	180	210	

MODEL	CURVE N°	HEAD m							
		126M	1	18,5	17,4	16,2	14	11,6	8,5
126T									
128M	2	21	19,7	18,5	16,6	14,2	11,2	7,8	1
128T									



Performance tolerance in according to UNI/ISO 9906 Grade 3B

FTR SERIES

126M-126T-128M-128T

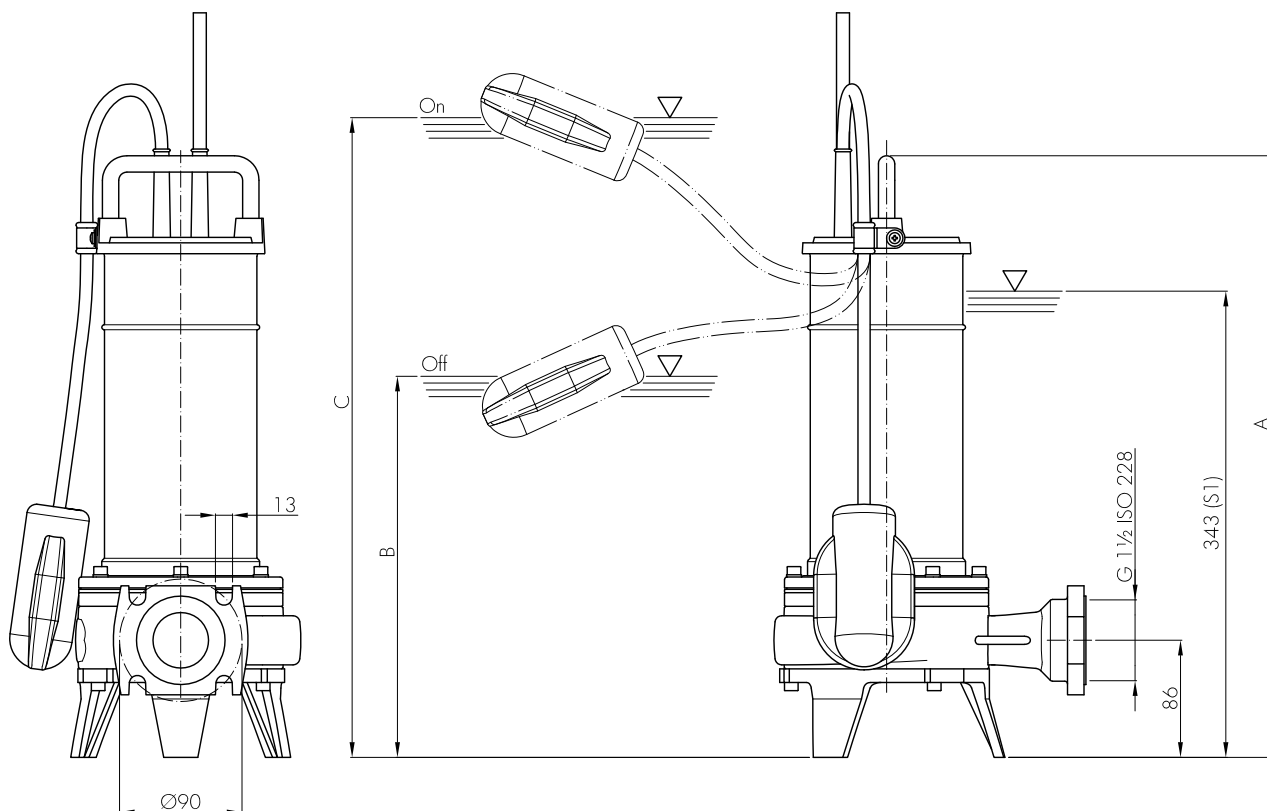


IMPELLER WITH GRINDER UNIT

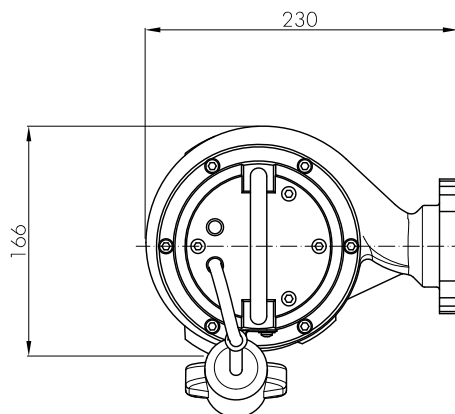
50 Hz

2 POLE

INSTALLATION DIMENSIONS

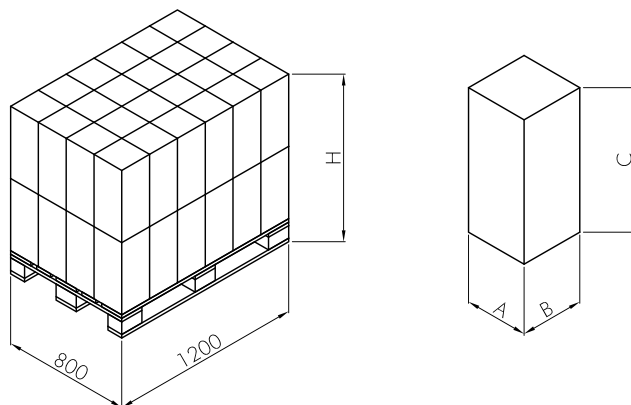


	A	B	C
126...	438	~280	~470
128...	463	~305	~495



PACKAGING DIMENSIONS

MODEL	POMPS N°	WEIGHT kg	H mm	AxBxC mm
126M	32	600	900	250x200x560
126T	32	600	900	250x200x560
128M	32	670	900	250x200x560
128T	32	670	900	250x200x560



FTR SERIES

126M-126T-128M-128T



IMPELLER WITH GRINDER UNIT

50 Hz

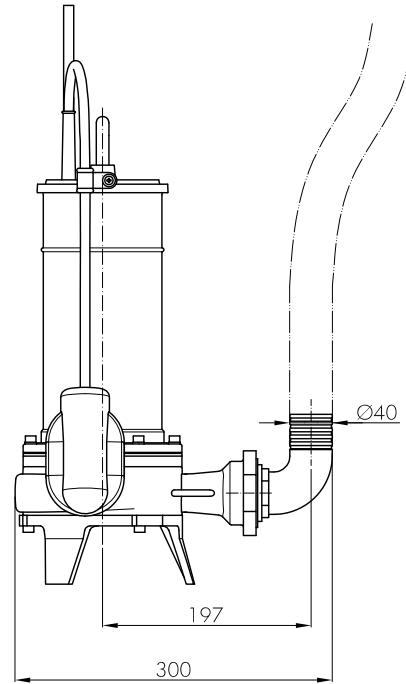
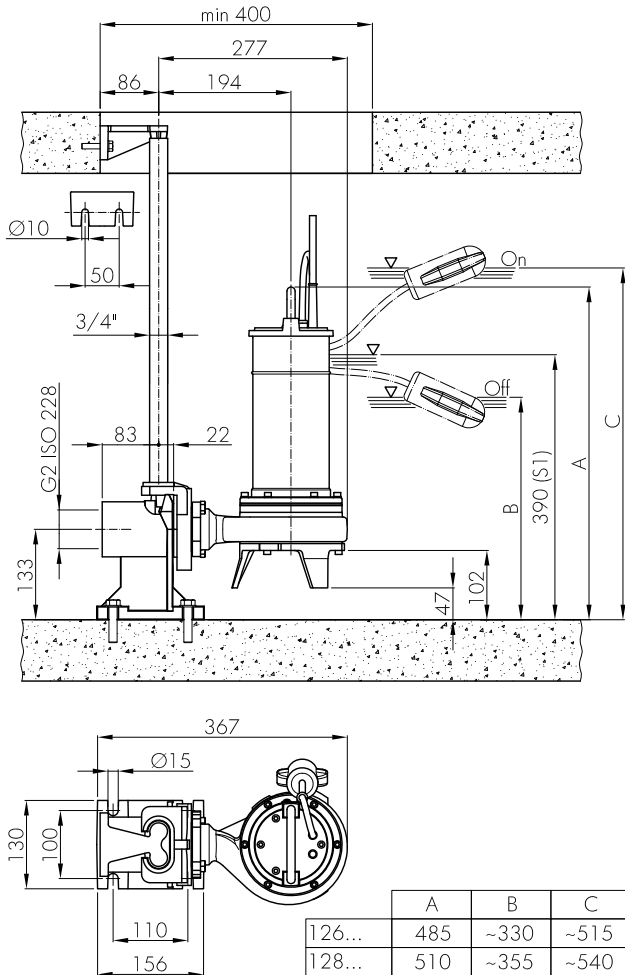
2 POLE

PERMANENT INSTALLATION WITH COUPLING SYSTEM

It is the recommended installation for the permanent pumping station. The electric pump is guided by two pipes and it is connected automatically to the coupling system. The quick connection ensures that the pump can be easily removed and re-installed.

PORTABLE INSTALLATION

Transportable as emergency pump with connection to the hose and for free installation in the well.



NOTES



Changes reserved

01/2019