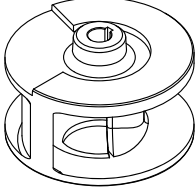


HYDROPOMPE	SINGLE CHANNEL IMPELLER 	50 Hz
F SERIES		2 POLE
102M-102T-152M-152T 202M-202T-202TB		

USE

Submersible electric pumps suitable for pumping screened waste water, draining the sewage of blocks of flats and houses and flooded premises in general.

MATERIALS

Cover

Cast iron EN GJL 200 (UNI EN 1561)

Motor housing

Cast iron EN GJL 200 (UNI EN 1561)

Pump housing

Cast iron EN GJL 200 (UNI EN 1561)

Supporting foot

Cast iron EN GJL 200 (UNI EN 1561)

Impeller

Cast iron EN GJL 200 (UNI EN 1561)

Mechanical seal

Silicon Carbide/Silicon Carbide (SiC/SiC)

Motor shaft

Stainless steel AISI 416

Bolts and nuts

Stainless steel Grade A2

Cable

10 meters type H07RN-F

Single-phase with 4G1,5mm² cable, capacitor box and SCHUKO (CEE 7/VII) plug

Single-phase F202M with 4G2,5mm² cable, capacitor box and SCHUKO (CEE 7/VII) plug

Three-phase with 4G1,5mm² cable

LIMITS TO USE

Max temperature of the liquid pumped

+40°C

pH of the liquid pumped

6÷10

Max immersion depth

20 m

Liquid density

1,0 kg/dm³

Min immersion depth for continuous service

102M-102T-152M-152T 353 mm

202M-202T-202TB 380 mm

Free passage

102M-102T-152M-152T 40 mm

202M-202T-202TB 50 mm

Max number starts/hour

20

Acoustic pressure level issued

<70dB(A)

MOTOR

The electric motor is asynchronous with squirrel cage rotor in oil bath

Class of insulation F

Protection degree IP68

2pole; 50Hz

Main voltage values and relative tolerance in relation to the rated voltage value:

SINGLE-PHASE

230V ±6%

built-in overheating protection and float switch

THREE-PHASE

230V ±10%

400V ±10%

Other voltages on request.

OTHER FEATURES ON REQUEST


Frequency 60 Hz (*see specific catalogue*)

Other voltages

With food grade white oil

TECHNICAL DATA

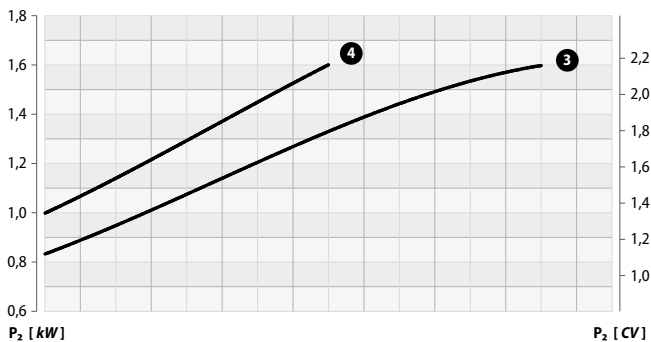
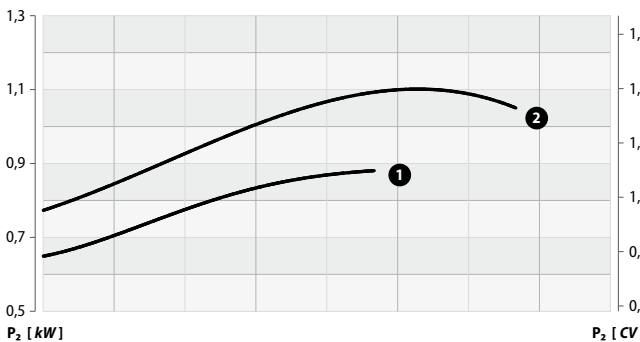
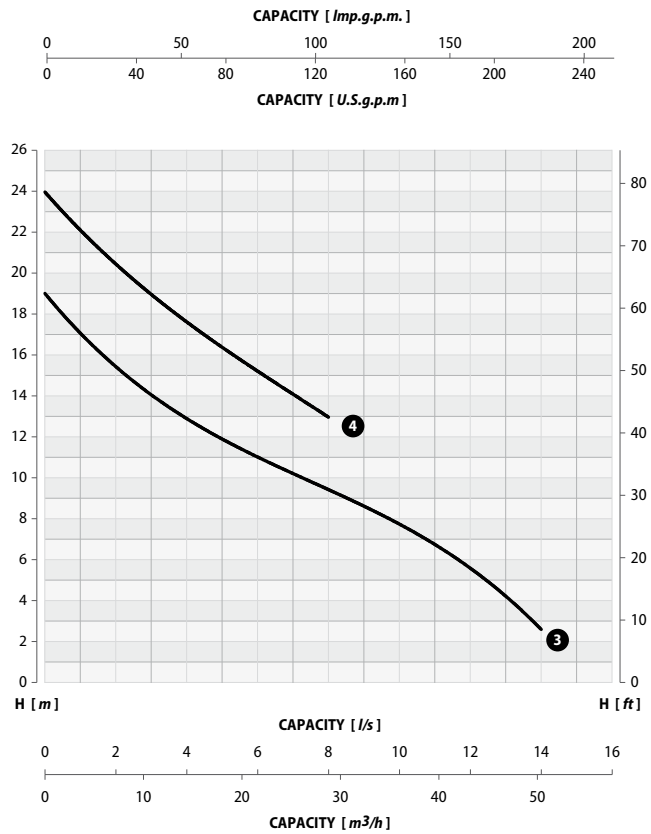
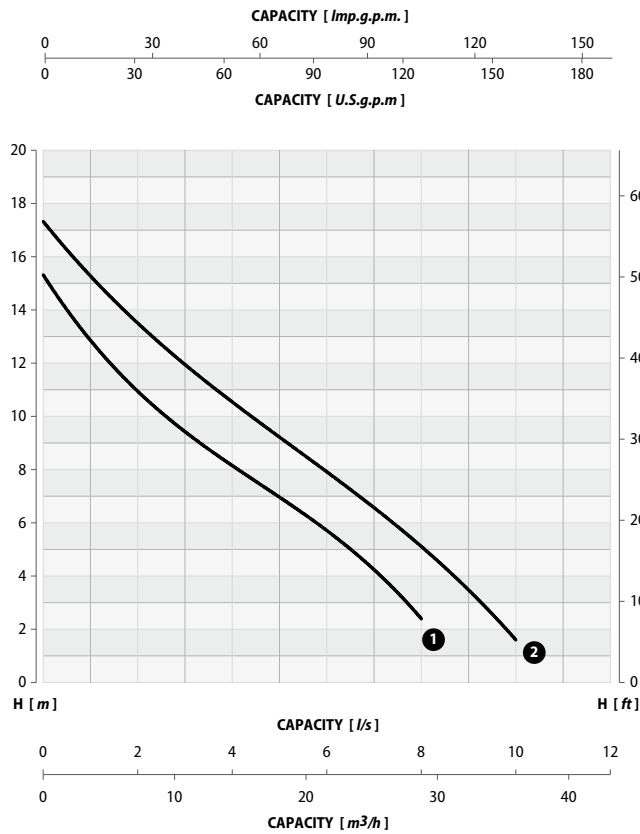
MODEL	P1 kW	P2		VOLTAGE V	CURRENT A	CAPACITOR		CABLE m	WEIGHT kg
		kW	CV			µF	V		
102M	1,3	0,9	1,2	230 (1~)	5,8	25	450	10	30
102T	1,3	0,9	1,2	230/400 (3~)	3,4/2,0	-	-	10	30
152M	1,7	1,1	1,5	230 (1~)	7,0	30	450	10	30
152T	1,6	1,1	1,5	230/400 (3~)	5,2/3,0	-	-	10	30
202M	2,3	1,6	2,1	230 (1~)	11,0	40	450	10	34
202T	2,2	1,6	2,1	230/400 (3~)	6,9/4,0	-	-	10	34
202TB	2,3	1,6	2,1	230/400 (3~)	7,3/4,2	-	-	10	34

F SERIES	102M-102T-152M-152T 202M-202T-202TB		SINGLE CHANNEL IMPELLER	50 Hz
				2 POLE

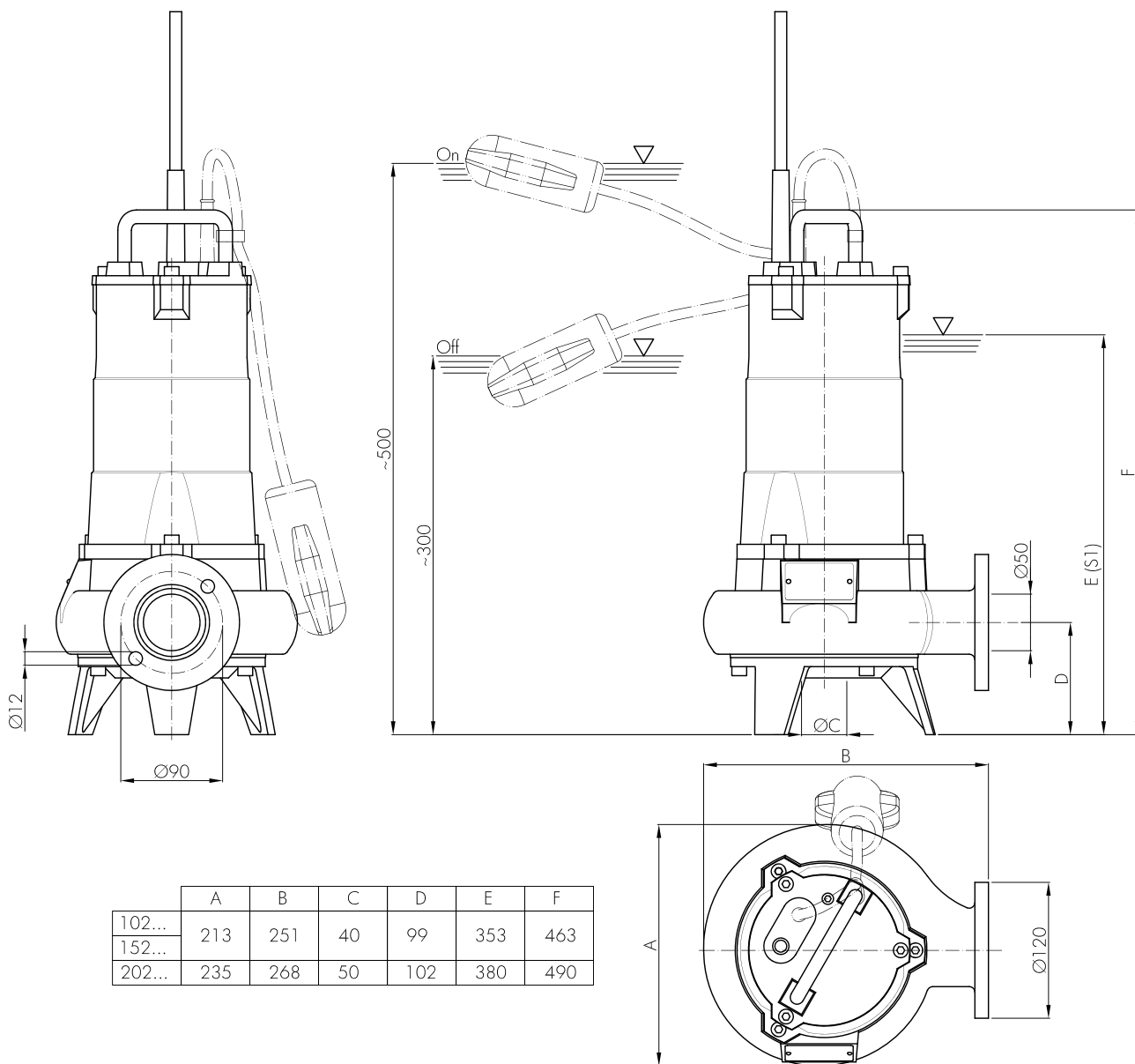
PERFORMANCE RANGE


CAPACITY															
<i>l/s</i>	0	1	2	3	4	5	6	7	8	9	10	12	13	14	
<i>m³/h</i>	0	3,6	7,2	10,8	14,4	18,0	21,6	25,2	28,8	32,4	36,0	43,2	46,8	50	
<i>l/min</i>	0	60	120	180	240	300	360	420	480	540	600	720	780	840	

MODEL	CURVE N°	HEAD m													
		102M	1	15,5	12,5	11,0	9,5	8,3	7,0	5,6	4,1	2,5	-	-	-
102T	15,5	12,5		11,0	9,5	8,3	7,0	5,6	4,1	2,5	-	-	-	-	-
152M	2	17,5	15,0	13,5	12,0	10,5	9,4	8,0	6,5	5,0	3,4	1,7	-	-	-
152T		17,5	15,0	13,5	12,0	10,5	9,4	8,0	6,5	5,0	3,4	1,7	-	-	-
202M	3	19,0	17,0	15,5	14,0	13,0	12,0	11,0	10,0	9,4	8,6	7,7	5,8	4,2	2,5
202T		19,0	17,0	15,5	14,0	13,0	12,0	11,0	10,0	9,4	8,6	7,7	5,8	4,2	2,5
202TB	4	24,0	22,0	20,5	19,0	17,5	16,5	15,2	14,0	13,0	-	-	-	-	-



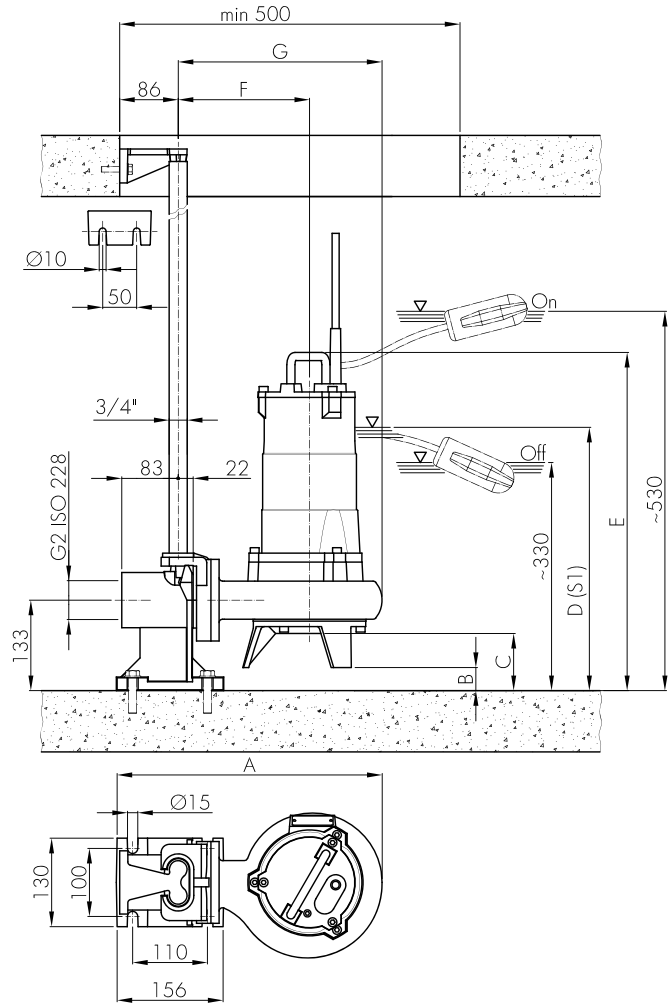
Performance tolerance in according to UNI/ISO 9906 Grade 3B

F SERIES**102M-102T-152M-152T
202M-202T-202TB****SINGLE CHANNEL IMPELLER****50 Hz****2 POLE****INSTALLATION DIMENSIONS**

F SERIES	102M-102T-152M-152T 202M-202T-202TB		SINGLE CHANNEL IMPELLER	50 Hz
				2 POLE

PERMANENT INSTALLATION WITH COUPLING SYSTEM

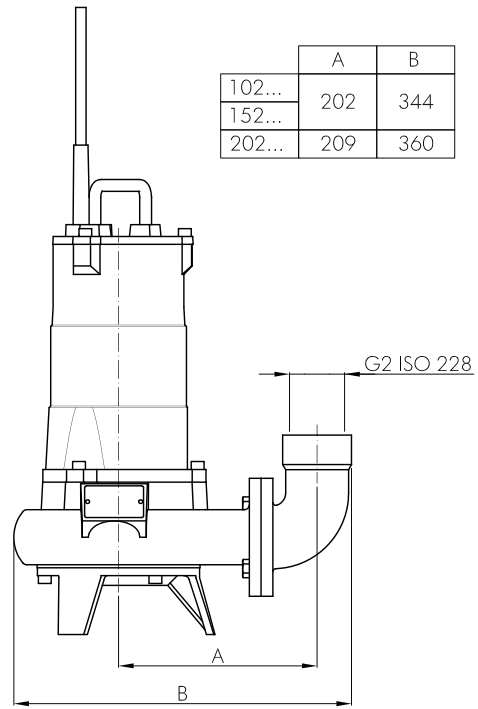
It is the recommended installation for the permanent pumping station. The electric pump is guided by two pipes and it is connected automatically to the coupling system. The quick connection ensures that the pump can be easily removed and re-installed.



	A	B	C	D	E	F	G
102...	390	34	84	387	497	193	300
152...							
202...	407	31	81	414	521	200	316

PORTABLE INSTALLATION

Transportable as emergency pump with connection to the hose and for free installation in the well.



NOTES



.....

.....

.....

 Changes reserved

02/2019