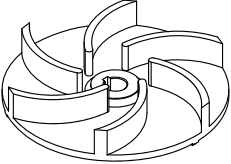


HYDROPOMPE	VORTEX IMPELLER 	50 Hz
F SERIES		2 POLE
42XM-62XM-82XM-82XT		

USE

Submersible electric pump particularly suitable for the emptying of basements, garages, cellars and flooded premises.

MATERIALS

Cover

Cast iron EN GJL 200 (UNI EN 1561)

Pump housing

Cast iron EN GJL 200 (UNI EN 1561)

Supporting foot

Cast iron EN GJL 200 (UNI EN 1561)

Impeller

Cast iron EN GJL 200 (UNI EN 1561)

Seal motor side

Seal ring

Mechanical seal impeller side

Steatite/Graphite

Motor housing

Stainless steel AISI 304

Motor shaft

Stainless steel AISI 416

Bolts and nuts

Stainless steel Grade A2

Cable

10 meters type H07RN-F

Single-phase with 3G1mm² cable and SCHUKO (CEE 7/VII) plug

Three-phase with 4G1mm² cable

LIMITS TO USE

Max temperature of the liquid pumped

+40°C

pH of the liquid pumped

6÷10

Max immersion depth

5 m

Liquid density

1,0 kg/dm³

Min immersion depth for continuous service

280 mm

Free passage

40 mm

Max number starts/hour

20

Acoustic pressure level issued

<70dB(A)

MOTOR

The electric motor is asynchronous with squirrel cage rotor in oil bath

Class of insulation F

Protection degree IP68

2pole; 50Hz

Main voltage values and relative tolerance in relation to the rated voltage value:

SINGLE-PHASE

230V ±6%

built-in overheating protection and float switch

THREE-PHASE

230V ±10%

400V ±10%

Other voltages on request.

OTHER FEATURES ON REQUEST

Silicon carbide (SiC/SiC) mechanical seal

Frequency 60 Hz (*see specific catalogue*)

Other voltages

With food grade white oil

TECHNICAL DATA

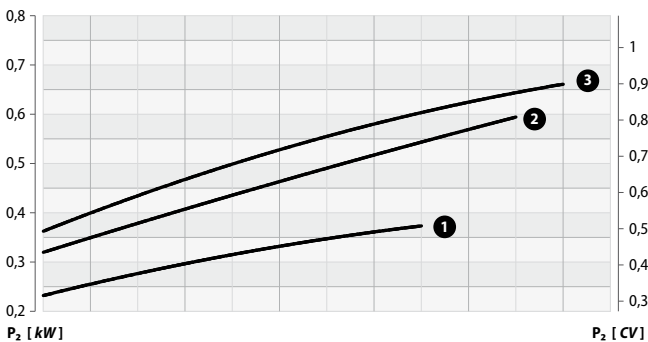
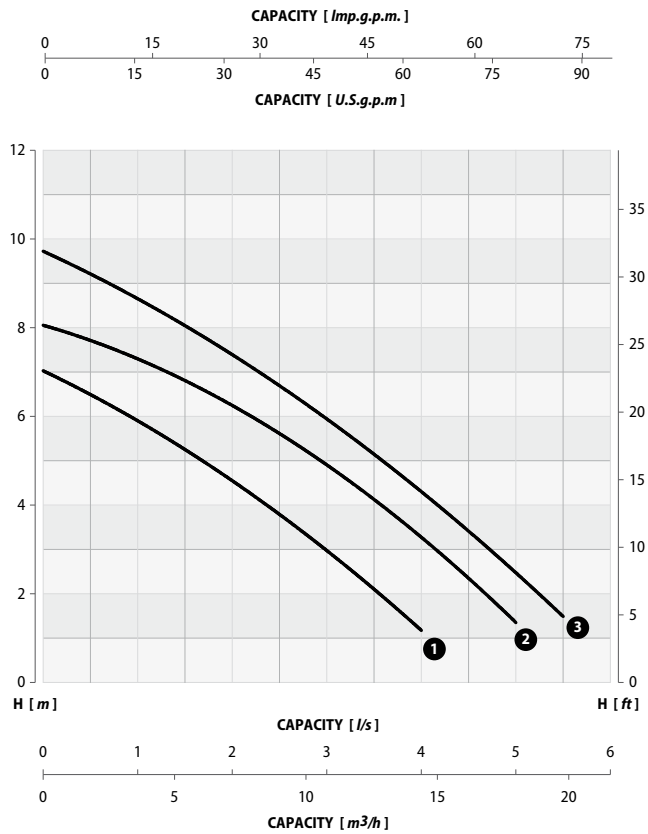
MODEL	P1 kW	P2		VOLTAGE V	CURRENT A	CAPACITOR		CABLE m	WEIGHT kg
		kW	CV			µF	V		
42XM	0,58	0,37	0,50	230 (1~)	3,0	8	450	10	13
62XM	0,72	0,60	0,80	230 (1~)	3,7	10	450	10	13
82XM	0,88	0,70	0,95	230 (1~)	4,8	14	450	10	14
82XT	0,88	0,70	0,95	230/400 (3~)	3,1/1,8	-	-	10	14

F SERIES	42XM-62XM-82XM-82XT		VORTEX IMPELLER	50 Hz
				2 POLE

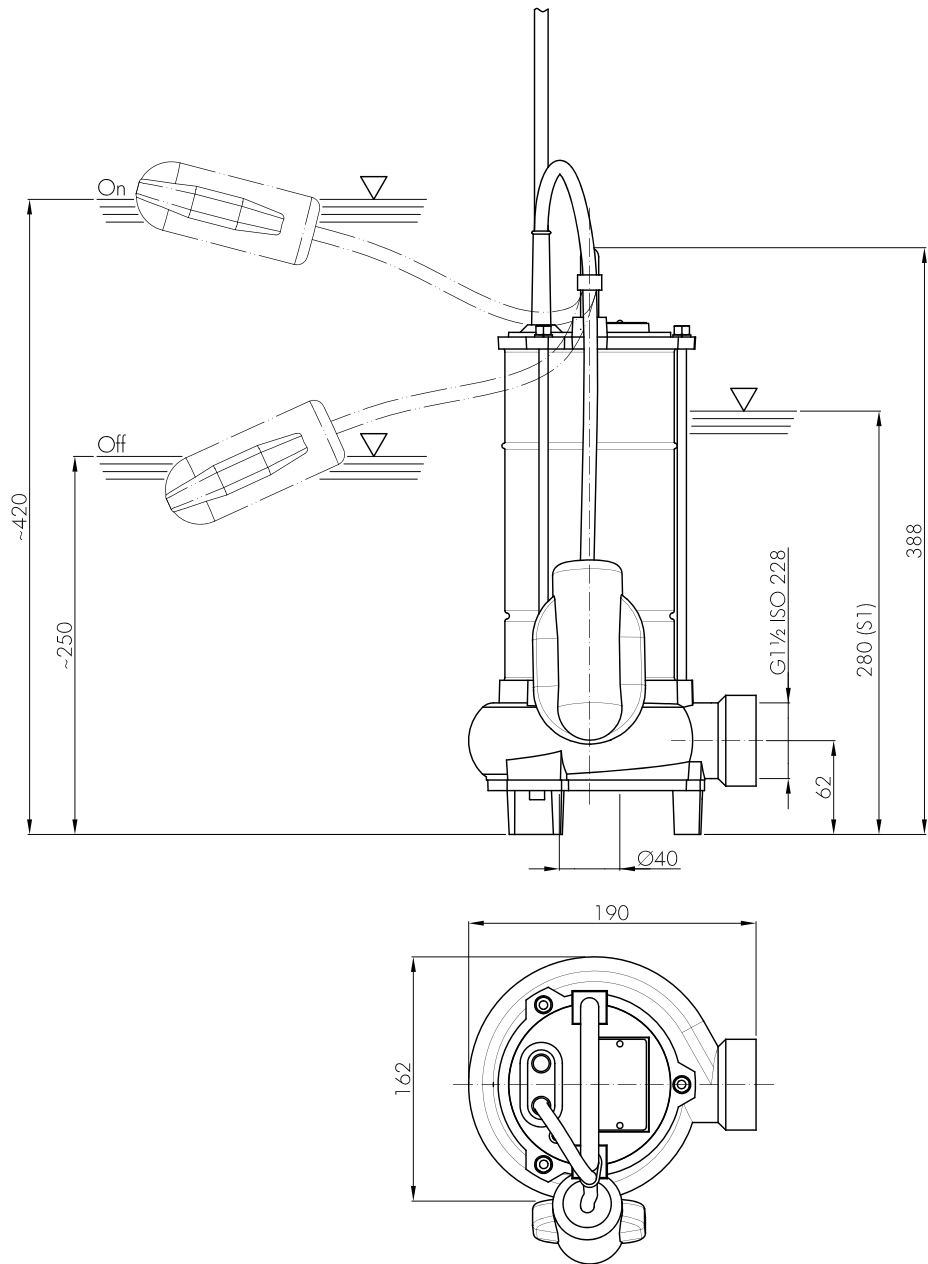
PERFORMANCE RANGE

CAPACITY													
<i>l/s</i>	0	0,5	1	1,5	2	2,5	3,0	3,5	4,0	4,5	5,0	5,5	
<i>m³/h</i>	0	1,8	3,6	5,4	7,2	9,0	10,8	12,6	14,4	16,2	18,0	19,8	
<i>l/min</i>	0	30	60	90	120	150	180	210	240	270	300	330	

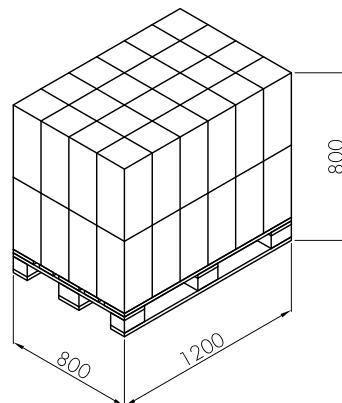
MODEL	CURVE <i>N°</i>	HEAD <i>m</i>											
		42XM	1	7,0	6,5	6,0	5,2	4,5	3,8	3,0	2,1	-	-
62XM	2	8,1	7,8	7,1	6,8	6,2	5,7	5,0	4,1	3,3	2,3	-	-
82XM	3	9,8	9,0	8,7	8,1	7,5	6,8	5,9	5,0	4,2	3,5	2,5	1,5
82XT													



Performance tolerance in according to UNI/ISO 9906 Grade 3B

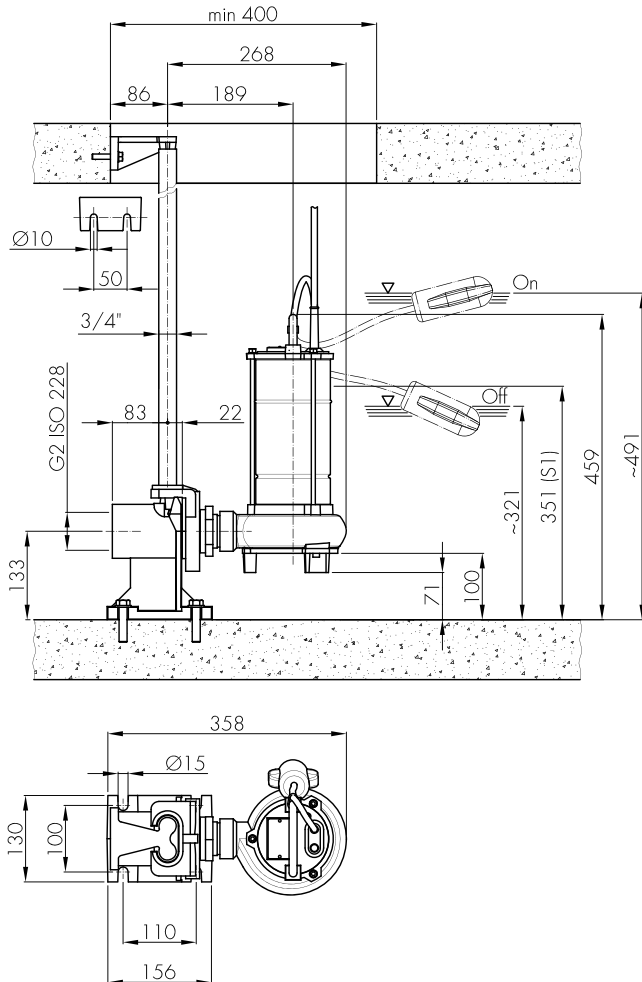
F SERIES**42XM-62XM-82XM-82XT****VORTEX IMPELLER****50 Hz****2 POLE****INSTALLATION DIMENSIONS****PACKAGING DIMENSIONS**

MODEL	PUMPS N°	WEIGHT kg
42XM	32	460
62XM	32	460
82XM	32	500
82XT	32	500

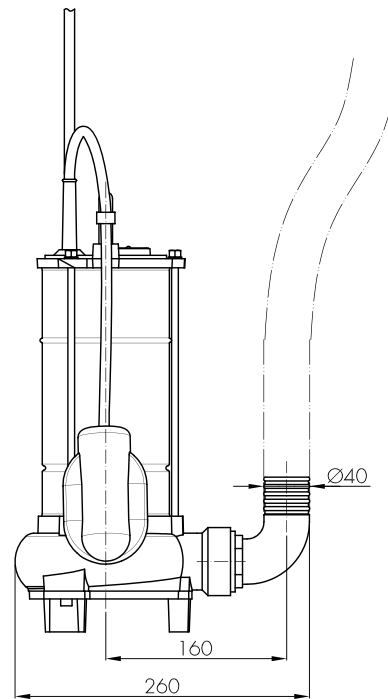


F SERIES**42XM-62XM-82XM-82XT****VORTEX IMPELLER****50 Hz****2 POLE****PERMANENT INSTALLATION WITH COUPLING SYSTEM**

It is the recommended installation for the permanent pumping station. The electric pump is guided by two pipes and it is connected automatically to the coupling system. The quick connection ensures that the pump can be easily removed and re-installed.

**PORTABLE INSTALLATION**

Transportable as emergency pump with connection to the hose and for free installation in the well.

**NOTES**

i Changes reserved

02/2019